



Datenblatt - Fiche technique - Data sheet

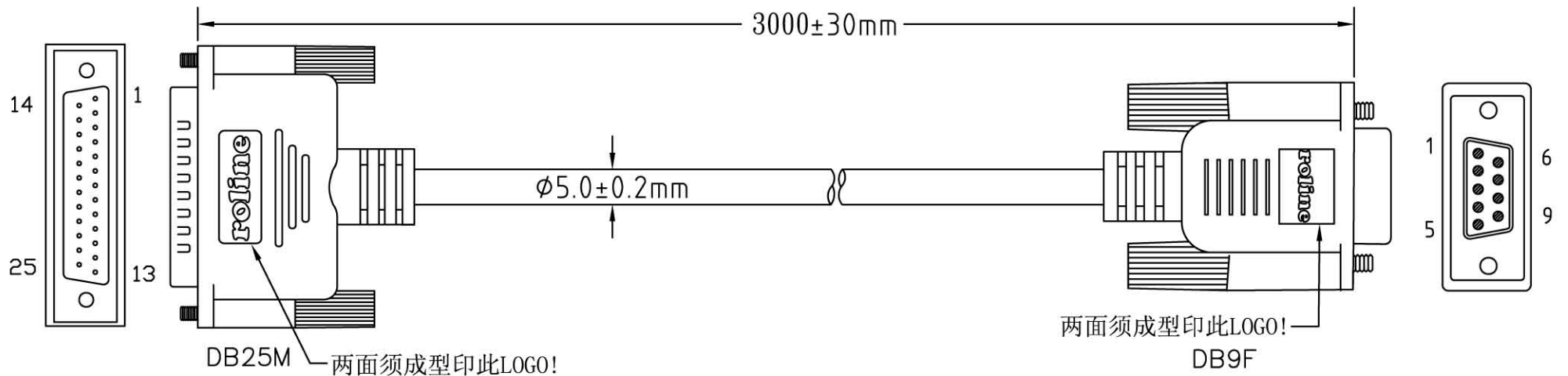
**11.01.4630**



ROLINE Druckerlabel 9pol. BU - 25pol. ST, 3,0m

ROLINE Câble d'imprimante AT, 3,0m

ROLINE Serial Printer Cable, DB9 F - DB25 M, 3 m



NOTE: 注:线材颜色须用RLA专用米色!!

1. CABLE: 28AWG, NON-UL, AL-FOIL, 7C+1, (RLA) BEIGE COLOR, OD=5.0mm. PVC JACKET.

2. LENGTH: 3000MM

3. CONNECTOR: DB25M\*1PCS, DB9F\*1PCS (黑胶芯)

4. MOLD: 成型APPLE模—成型APPLE模.

5. SCREW: 4\*40 INCH THUMB SCREW\*4PCS

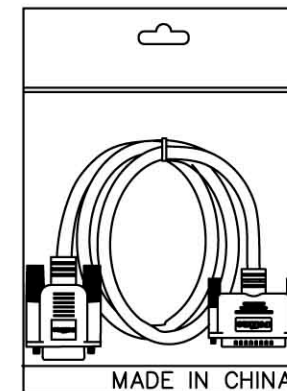
6. CONTACTS:

DB9F	1	2	3	4	5	6+8	7	64
DB25M	4	2	3	5+6	7	20	8	64

7. OPEN/SHORT TEST: 100% TEST.

INSULATION: 1M.

8. ALL MUST BE ROHS COMPLIANT.



PE BAG(190\*300\*0.06)

吊卡+条码贴纸包装

COMPANY	RLA	ITEM NO.	11.01.4630	NO	B3920
---------	-----	----------	------------	----	-------

REVISION	DATE	DISCRIPTION	DRAWN BY	
			DESIGNED BY	
			APPROVAL BY	

ROTRONIC CO., LTD

SCALE

UNIT(mm)

DRAWING NO.

